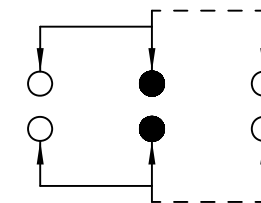
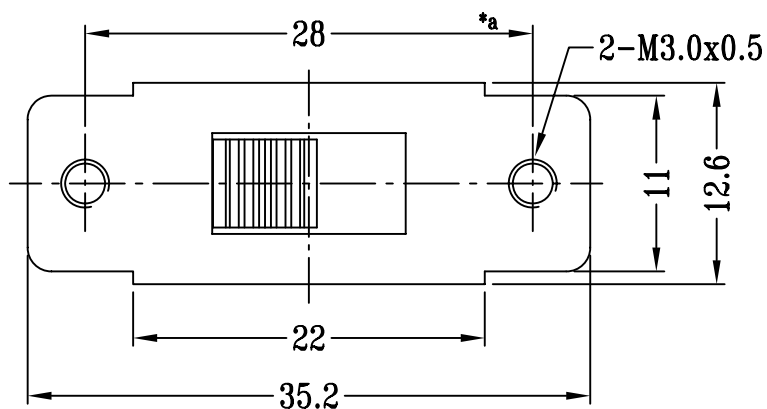
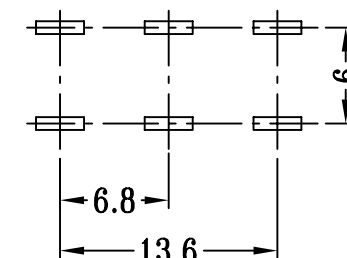
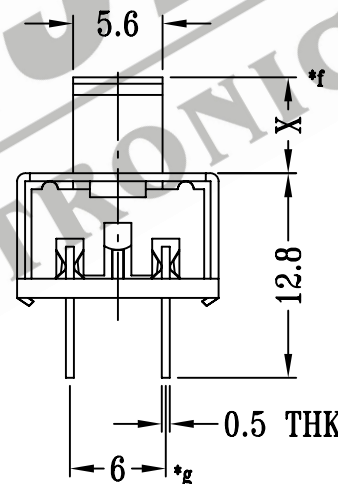
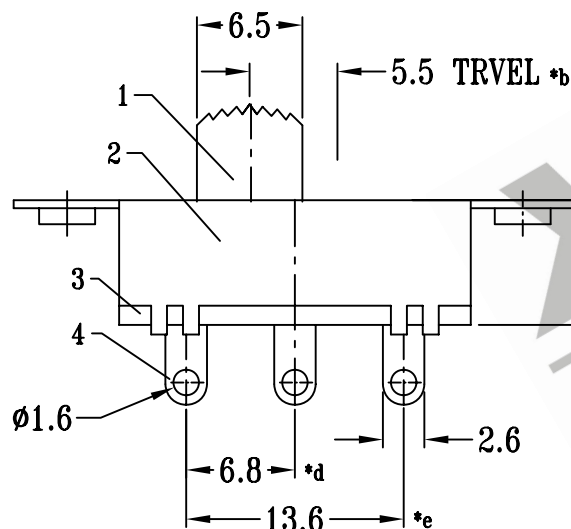


CAD FILE :



SCHEMATIC (NON-SHORTING)



P.C.B. LAYOUT

注:带"*"表示关键尺寸(7个)

| | | | | | | | | | |
|-----|----------------|----------------|------|--------------------------|---|--------------------------------------|----------------------------|-----------|--------------|
| 8 | CONTACT CLIP | PBS STRIP | 2 | Ag PLATED | TOLERANCE UNLESS SPECIFIED | SHENZHEN XIEJIA ELECTRONICS CO.,LTD. | | | |
| 7 | POSITION PLATE | STEEL STRIP | 1 | Ni PLATED | | WITHIN: 1.5±0.1mm OVER: 1.5±0.2mm | ISSUE | DATE | DESCRIPTIONS |
| 6 | STEEL BALL | STEEL | 1 | NATURAL | TITLE: VERTICAL SLIDE SWITCH | | | | |
| 5 | SPRING | STEEL WIRE | 1 | TEMPER | MODEL: SS-22K39 | | | | |
| 4 | TERMINAL | BRASS STRIP | 6 | Ag PLATED OVER Ni PLATED | UNIT : M M | | DRWG NO : XJ-DR-SS22K39-00 | | |
| 3 | TERMINAL BASE | PHENOLIC RESIN | 1 | BLACK | SCALE : 2:1 | | DWN. | ZHOUYU | 2006-3-26 |
| 2 | FRAME | STEEL STRIP | 1 | BLACK | ALL MATERIALS MUST BE COMPLIANT TO ROHS | | | | |
| 1 | KNOB | PC | 1 | BLACK | | | | | |
| NO. | PART NAME | MATERIAL | QTY. | FINISHING | APPD. | | | KANGXINAN | 2006-3-26 |